

# READ AND SAVE THIS INSTRUCTION

Jetwell

MODEL: 2830

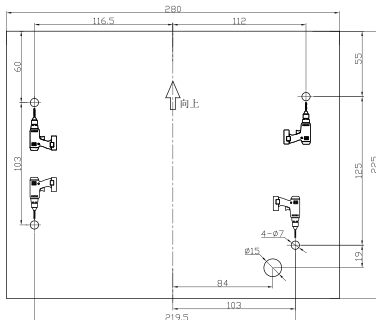
## RECEIVING SHIPMENT



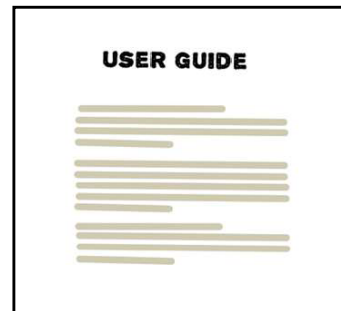
hand dryer



screws and tool



installation template



user manual

## MODEL INFORMATION

Dryer model

Date of purchase

## WARRANTY

2 YEARS WARRANTY

CUSTOMER SERVICE EMAIL: [jetwellusa@gmail.com](mailto:jetwellusa@gmail.com)

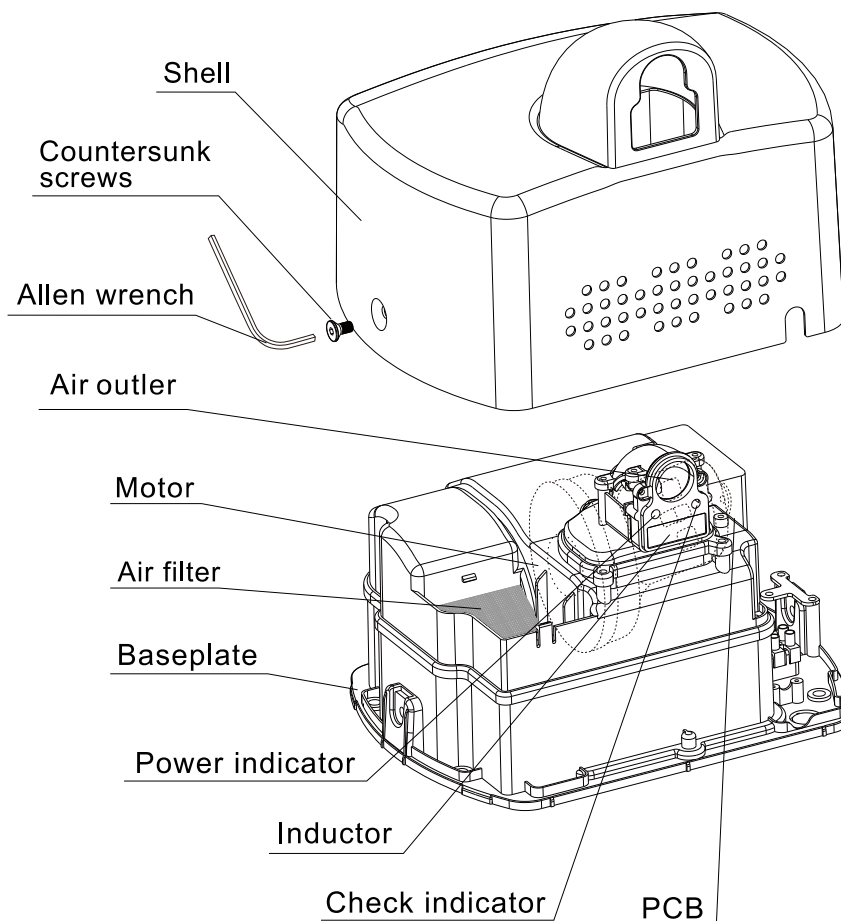
## Feature

- No touch hand drying ensures complete hygiene
- No need paper towels, ease of maintenance
- Stainless steel shell, solid and beautiful
- Auto-stop function , the built-in timer will stop the unit after 45 seconds.
- The machine equipped with automatic heating system, when temperature was cold, automatically open the heating system, when the temperature was hot, the heating system automatic shutdown.

## Specification

Voltage	AC120V	Motor	Brush motor
Phase	Single-phase	Sensing distance	15-20cm
Input	1350W	Protection class	IPX1
Wind speed	64m/s	Appearance size	270x210x200mm
Heating power	750W	N.W	3.4kg

## Name of each part





# WARNING

If you don't use this unit properly or follow the safety guidelines carefully, it would lead to serious personal injury or property damage



Prohibited



No wet



Do not use in the bathtub or shower room



Prohibit disassembling



Complying with instruction

- Do not open the front panel .Otherwise, this may get an electric shock
- Do not let children hang from the unit.otherwise, this may cause the unit to drop.
- Do not allow the unit get wet.otherwise, it will cause electric shock
- Do not use in a wet environment,for example,near the bathroom where it may get the direct water and the places where the condensation may form.Otherwise, this may cause electric shock and unit malfunction.
- Do not modify and disassemble the unit unnecessarily. Otherwise,this may cause a fire,electric shock, or personal injury.

- Rated power is required

- If power tolerance is over +/-10%,there will be breakdown. If using incorrect power supply, fire, electric shock and machinemalfunction will happen.

- Please use dedicated socket

- If using together with other appliances, the socket may cause abnormal heat leading to fire.

- Power must be cut off when maintenance to prevent the risk of electric shock.

Air filter must be installed.

- If the machine doesn't work or have abnormal conditions, please cut off power to prevent accidents; and close leakage circuit breaker and ask supplier to check and repair, or it may lead to fire because of electricity leakage and short circuit.

▲ Machine must have reliable ground connection.

▲ Attention when installation:

Do not install when the machine are power connected.

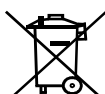


Warning

- This appliance is not intended for use by persons(including children)with reduced physical, sensory or mental capabilities,or lack of experience and knowledge, unless they have been given supervision or instruction concerning use of the appliance by a person responsible for their safety.

- If the cord is damaged, it must be replaced by the manufacturer, its service agent or similarly qualified persons in order to avoid a hazard.

- For additional protection, the installation of a residual current device (RCD) having a rated residual operating current not exceeding 30mA is advisable in the electrical circuit supplying the bathroom. Ask your installer for advice.



- Environmental Protection

Waste electrical products should not be disposed of with household waste.

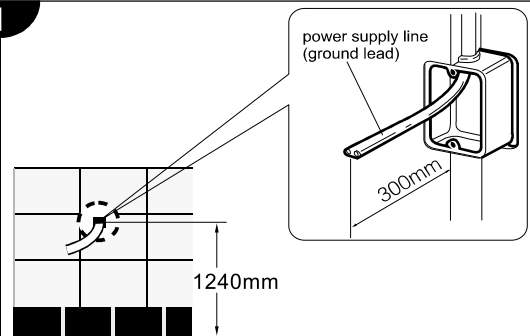
Please recycle where facilities exist. Check with your local authority or retailer for recycling advice.



# Install method

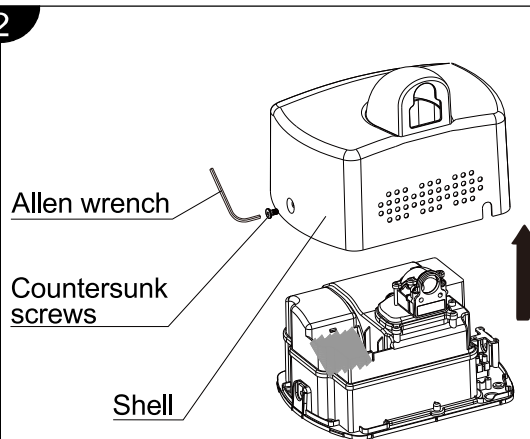
## 1 Connect the line

- When installing dryer without terminal box, you should install above the right side of dryer with two-hole standard outlet corresponds to hand dryer. The distance should be 20-50cm.
- Please embed junction box without cover in the installation location when directly connecting power cord is needed. Otherwise, power cord will be forced out of body and can not be properly installed.



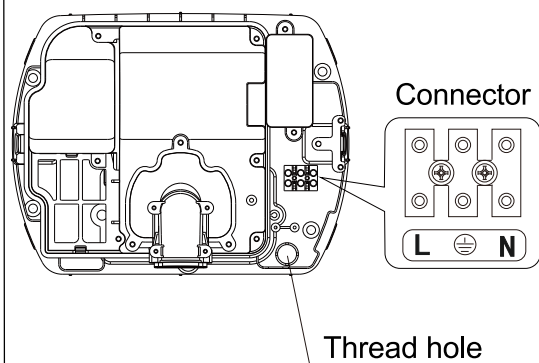
## 2 Shell remove

- Using Allen wrench from accessories bag to remove 2 countersunk screws from body shell.
- Pull the shell upward by hands to remove.
- ❗ Keeping the shell carefully avoiding scratching.



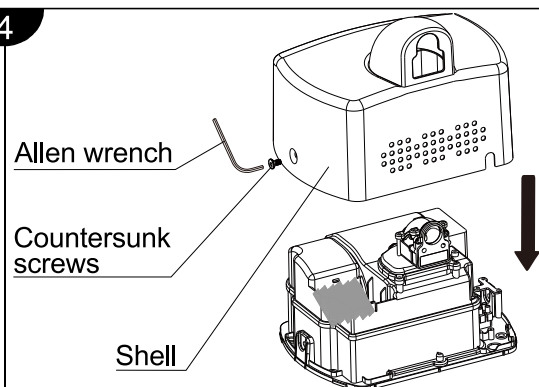
## 3 Machine installation

- As figure showed, the machine to be fixed on the wall by screws. The machine has been equipped with a power cord. If needing junction box for installation, the power cord must be removed. As figure showed, poking the thread hole of junction box by screw drivers, wire drawn out through thread hole to the terminal blocks to connect.
- ❗ When connecting, the wire length should exceed 2cm to terminal block. Fire line must be connected at **L** position of terminal blocks, null line connected at **N** position, earth line connected at  $\oplus$



## 4 Shell installation

- Tighten the 2 countersunk screws on the shell.



# Test run

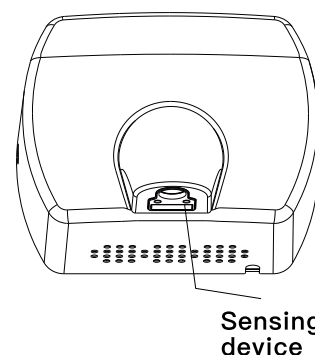
	Steps	Confirm information	Check & Notice
1	Shake the machine gently	The machine is installed firmly without shaking	It will occur shaking and noisy when the machine doesn't install firmly
2	Confirm the power and voltage	Please use the rated power supply	It will burn out machines or cause human accidents if the power use incorrect
3	Switch on the power	Close external power supply switch or insert the power plugs	Power socket must be match the machine plug Please check the power when the indicator light not bright
4	Slid in your hands to drying	High speed wind blow out	Please confirm whether your hands are far away from the sensor parts if there is no wind blowing out

# Daily use and maintenance

## External maintenance

- Screw with a soft dry cloth or towel sassafra.
- Please use neutral detergent
- Please don't use organic solvents, acid or alkali toilet cleaner, cleaning brush etc.
- ❗ Otherwise, the machine will destroy surface finish or produce discoloration.
- ❗ If using a chemical cloth, make sure that the use of attention

1

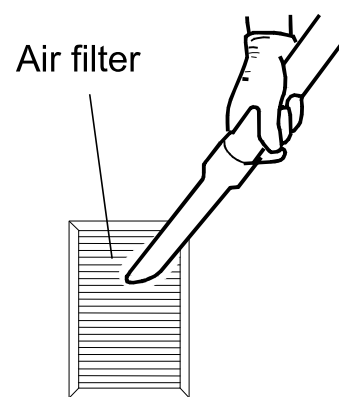


## Cleaning the air filter

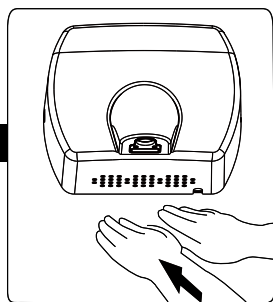
Cleaning cycle :semi-annually or when the wind speed decrease obviously

1. Open the air inlet panel, pull the air filter out by hand.
2. Cleaning the air filter
  - Beat it lightly by hand or use a vacuum cleaner.
  - It can also use hairbrush to wipe off dust.
  - Air filter can washable, re-use after dry.
3. Re-attach to the unit

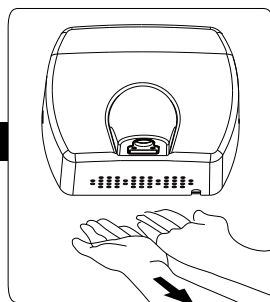
2



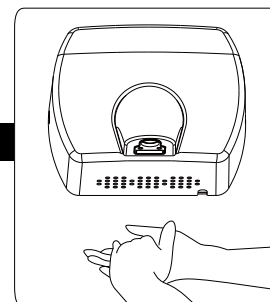
3



Slowly moving up the back of the hand before and after



Palm of the hand before and after slowly moving upwards



Mutual hands



Jetwell  
jetwellusa@gmail.com